

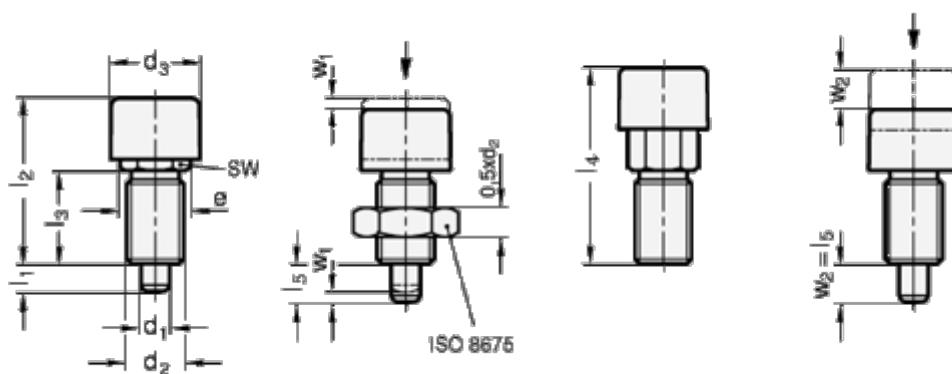
Data Sheet



Article number: 201147005

Description: E+G Locking plunger GN514-8-A
M16x1,5

Measures



d1 = 8	l5	= 11
d2 = M16x1,5	NV	= 17
d3 = 25	Spring load end N	= 65
e = 19	Spring load initial N	= 40
l1 = 8	w1	= 3
l2 = 46	w2	= 11
l3 = 26		
l4 = 54.5		